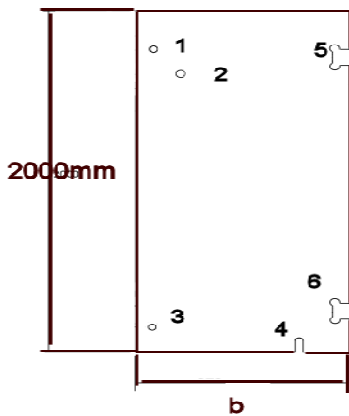
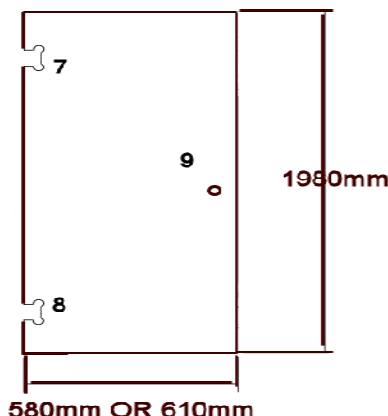


Renovation D

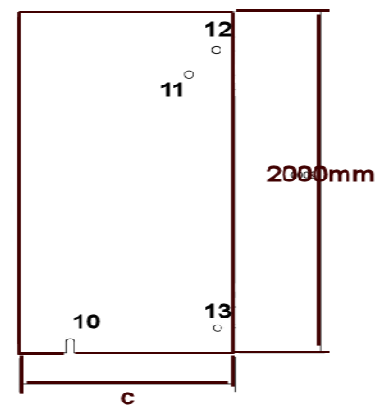
Shower Screen Installation Instruction



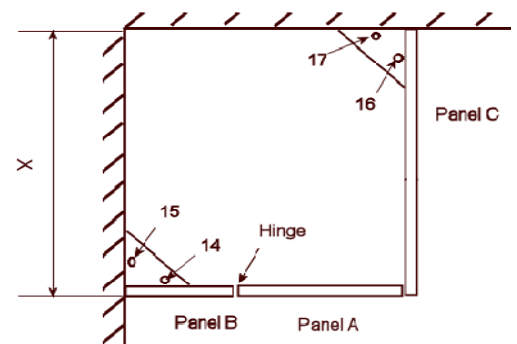
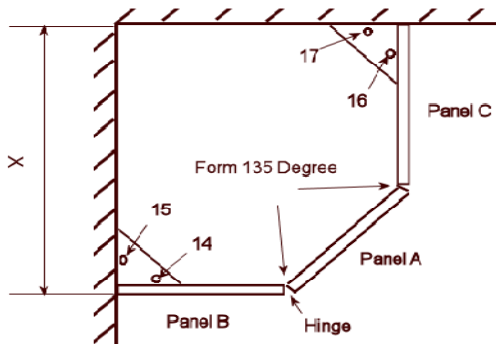
Panel B (Hinge Fixed Panel)



**580mm OR 610mm
Panel A (Door)**



Panel C (Fixed Panel)



Before drill any hole on the tiled wall makes sure you measure all the distance correctly and mark them on the right position of the tile wall. After the hole is drilled, adjustment is limited. The Bracket 6137 is used to connect tiled wall to glass panel and glass shelf at point 1, 3, 12, 13, 15 & 17. The Bracket 6136 is used to connect glass shelf (point 14 & 16) to Panel B (point 2) and Panel C (point 11). The Bracket U6140 is used to attach the Panel B (point 4) and Panel C (point 10) to the floor. The Hinge R6027/6028 should be installed at point 5 & 7, 6 & 8. The rubber strip needs to be attached under the Panel A (Door) after cut to right size. The metal strip should be attached to the floor under the Panel A (Door). After installation completed, silicon should be put between panel B/C and wall or floor. Handle 815 needs to be screwed on hole 9 on panel A.

In Corner shower screen Panel B and Panel C is at same size and In Square shower screen Panel C is the largest panel, Detail size of each panel as below

Size of panel:

***(The complete Size, the 'X' in**

the diagram above is from the

Wall to outside of glass including

the 10mm thickness of the glass)

All Size in mm				
	Complete Size	Panel A (Door)	Panel B	Panel C
Corner	900 X 900	580	472	472
	950 X 950	580	522	522
	1000 X 1000	610	550	550
	1100 X 1100	610	650	650
	1200 X 1200	610	750	750
Square	800 X 800	580	200	800
	900 X 900	580	300	900
	950 X 950	580	350	950
	1000 X 1000	580	400	1000
	1100 X 1100	610	470	1100
	1200 X 1200	610	570	1200